

JR30 Series Thermal Relay

1. Application

JR30 series thermal relay is used in the circuit of 50/60Hz, rated insulation voltage 660V, rated current 0.1-85A for protecting the phase break when the electric motor is overloaded. The relay has different mechanism and temperature compensation. It can be plugged in CJX5 series AC contactor. The product conforms to IEC60947-4-1 standard.



JR30-40

2. Motion Characteristic: Three-phase Balance Motion Time

No	Times of the setting current(A)	Motion time			Start condition	Ambient temperature
1	1.05	>2h			Cold state	20±5℃
2	1.2	<2h			Heat state	
3	1.5	<4min			(Following the No.1 test)	
4	7.2	10A	2s<Tp ≤ 10s	≤63A	Cold state	
		10A	4s<Tp ≤ 10s	>63A		

3. Phase-losing Motion Characteristic

No	Times the setting current(A)		Motion time	Start condition	Ambient temperature
	Any two phases	Another phase			
1	1.0	0.9	>2h	Cold state	20±5℃
2	1.15	0	<2h	Heat state(Following the No.1 test)	

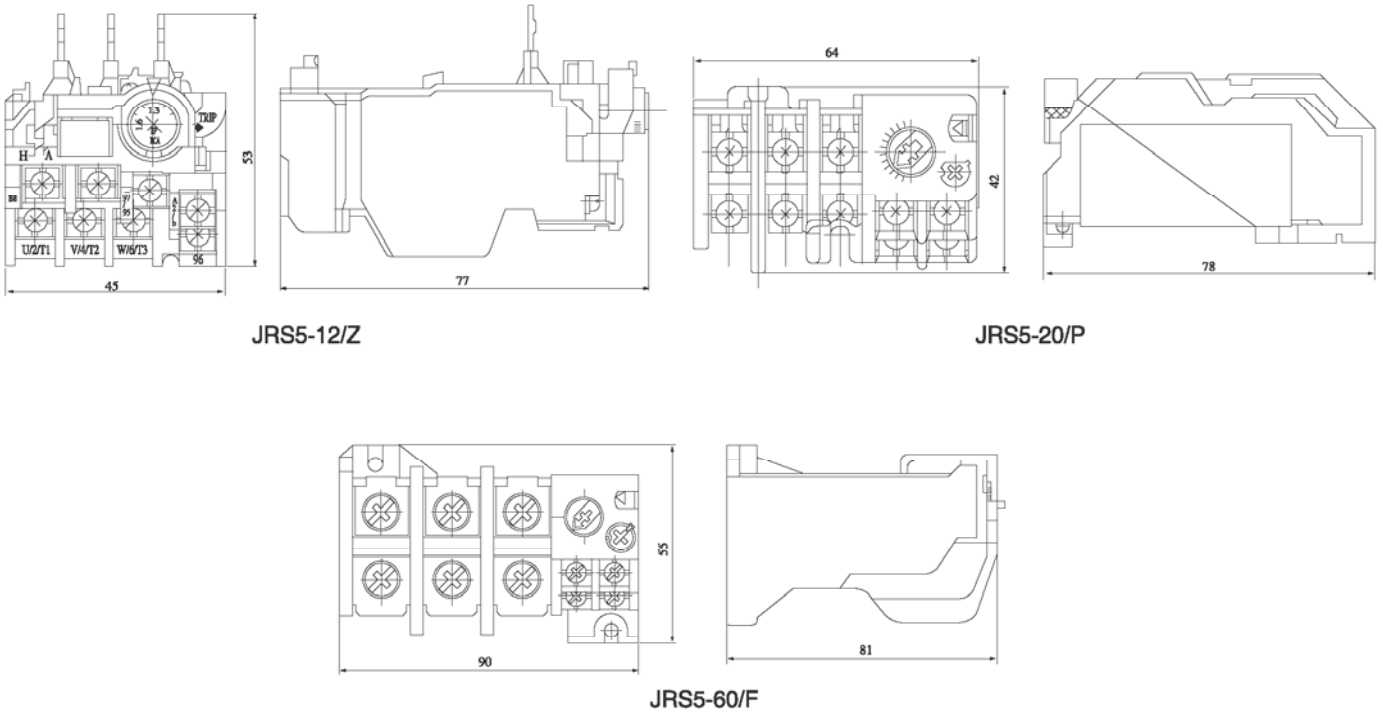
4. Specification



JR30-85

Ratings	Type	JR30-22			JR30-40			JR30-85		
	Nominal current	Ranges			Ranges			Ranges		
		Min.	Mid.	Max.	Min.	Mid.	Max.	Min.	Mid.	Max.
Rated current(A)	0.14	0.1	0.14	0.16						
	0.21	0.16	0.21	0.25						
	0.33	0.25	0.33	0.4						
	0.52	0.4	0.52	0.63						
	0.82	0.63	0.82	1						
	1.3	1	1.3	1.6						
	2.1	1.6	2.1	2.5						
	3.3	2.5	3.3	4						
	5	4	5	6	4	5	6			
	6.5	5	6.5	8	5	6.5	8			
	7.5	6	7.5	9	6	7.5	9			
	8.5	7	8.5	10	7	8.5	10	7	8.5	10
	11	9	11	13	9	11	13	9	11	13
	15	12	15	18	12	15	18	12	15	18
	19	16	19	22	16	19	22	16	19	22
	22				18	22	26	18	22	26
	30				24	30	36	24	30	36
34				28	34	40	28	34	40	
42							34	42	50	
55							45	55	65	
65							54	65	75	
74							63	74	85	
Element No.	2 heaters	Standard			Standard			Standard		
	3 heaters	Option			Option			Option		
Aux. Contact		1NO 1NC			1NO 1NC			1NO 1NC		
Reset type		Auto/Manual			Auto/ Manual			Auto/Manual		
Power consumption		1.8VA/heater			1.8VA/heater			1.8VA/heater		
Separate mounting unit		AZ-22H			AZ-40H			AZ-85H		
Other model		JR30-22/3			JR30-40/3			JR30-85/3		
		JR30-22			JR30-40			JR30-85		
		JR30-22/L			JR30-40/L			JR30-85/L		
Applied contactors		CJX5-9,12,18,22			CJX5-32,40			CJX5-50,65,75,85		

5. JRS5 Outline and Mounting Dimension



6. JR30 Outline and Mounting Dimension

