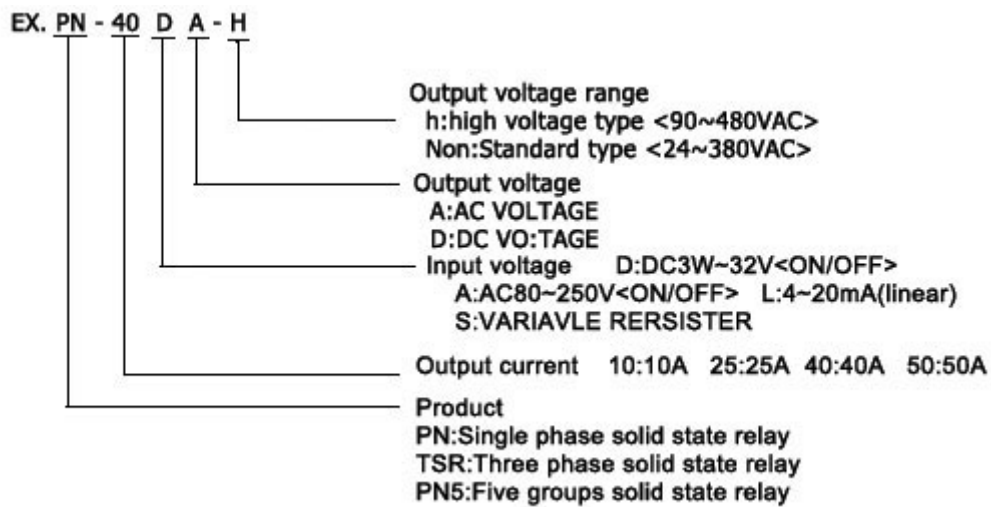


### Application :

- High reliability by S.M.T & TQC.(Surface Mounting Technology)
- High Isolation over than 50MQ/500VDC
- High dielectric over than 2.5KV
- Low enable current less than 7.5mA/12VDC CMOSIC or TTL Compatible.
- Low EMI/EFI& surge by Zeero cross Trigger Method.
- High surge current duration,over 10 Times of rated current/one cycle.
- High surge voltage duration by snubber circuit.



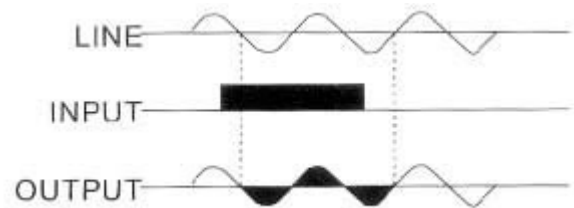
### Guiding of Model :



### Control Method :

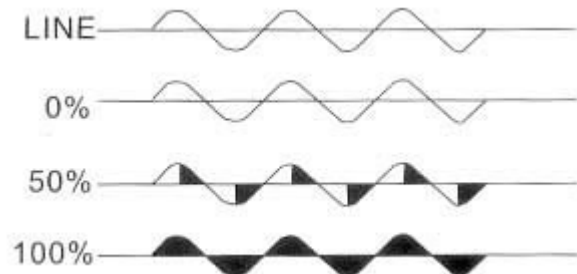
#### Zero Cross Trigger Method

Output TURN ON or TURN OFF only on zero cross point of sine wave,may avoid surge or EMI/RFI occurring.  
 Specially suited to control resistive,capacitive and Non-saturated inductive loads

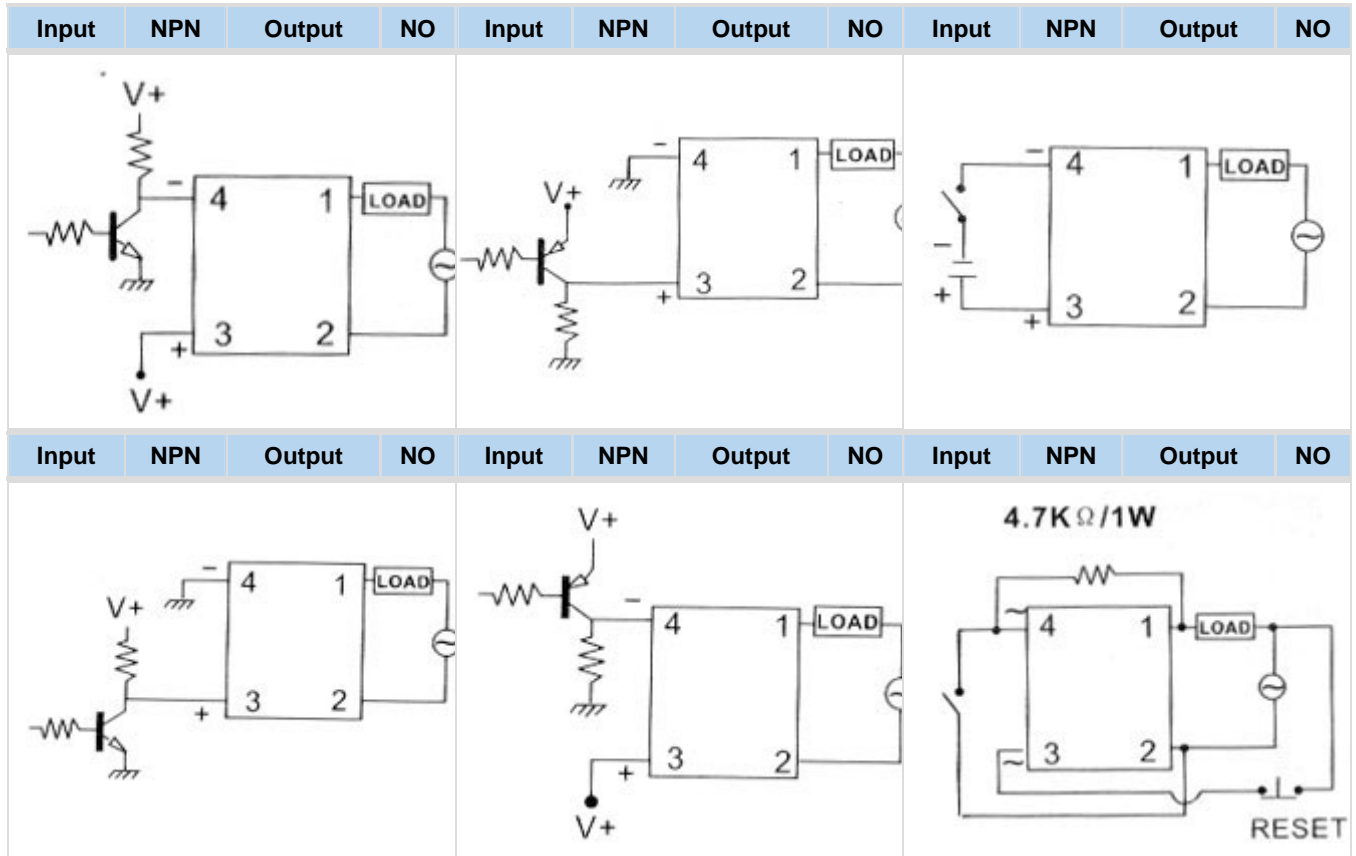


#### Variable resistance control method

Power output is controlled by the trigger angle of triac with variable resistor 250KQ/110VAC,500KQ/220VAC



**Application Hints :**



Type	Standard type				High voltage type			
Model	PN-25LA	PN-40LA	PN-50LA	PN-75LA	PN-25LAH	PN-40LAH	PN-50LAH	PN-75LAH
Rated load current	25A	40A	50A	75A	25A	40A	50A	75A
Input voltage	4-20mA							
Input resistance	Appr.1.2K							
Control method	Phase control							
Operating voltage	90-250VAC				250-480VAC			
Min. black voltage	600VAC							
Voltage drop	1.0V/25°C							
Max. durated current	275A	410A	550A	820A	275A	410A	550A	820A
Leakage current	% of full load							
Dielectric strength	Over 2.5KVAC/ 1min.							
Isolation strength	Over 50M/500VDC							
Operating temperature	-20°C~+80°C							
Housing Material	Intensive ABS							
Weight	105G							

**Dimension and connection diagram :**

