

Application :

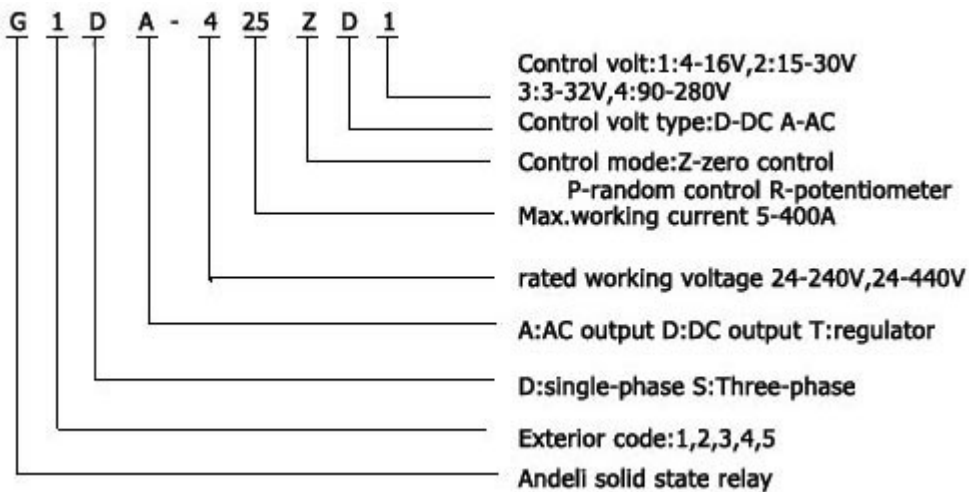
- Current:5-400A
- Voltage:24-440V
- All models feature the same compact dimensions.
- Built-in MOV effectively absorbs external surges.
- Operation indicator(red LEDa)enables monitoring operation .
- Protective cover for greater safety .
- DC and AC,ACand AC,DC and DC,AC and DC input versions available.



Typical Applications :

- Universal switch and thermal control
- Industrial automatic control
- Numerical-controlled machinery,remote-control system.

Guiding of Model :



Technical data:

Input		OutputCD			Cooling condition	Safety Coefficient of operatin currentG	
V _{in}	I _{in}	V _{rms}	I _{rms}	V _{iso i/o/c}		Resistive loading	inductive loading
DC4-16V _(DC)	120mA _(DC) 20-50mA _(AC)	24-440V _(AC)	5-400A	2500V _(AC)	with radiator natural wind cooling or water cooling	60%	40%
DC15-30V _(DC)							
DC3-32V _(DC)							
DC90-280V _(AC)							

Dimension:

