

### Application :

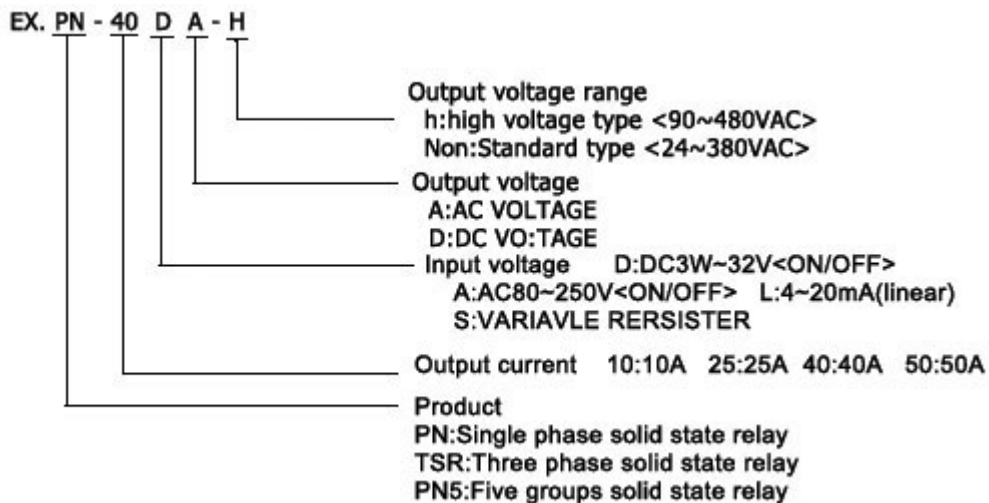
- High reliability by S.M.T & TQC.(Surface Mounting Technology)
- High Isolation over than 50MQ/500VDC
- High dielectric over than 2.5KV
- Low enable current less than 7.5mA/12VDC CMOSIC or TTL

Compatible.

- Low EMI/EFI& surge by Zeero cross Trigger Method.
- High surge current duration,over 10 Times of rated current/one cycle.
- High surge voltage duration by snubber circuit.



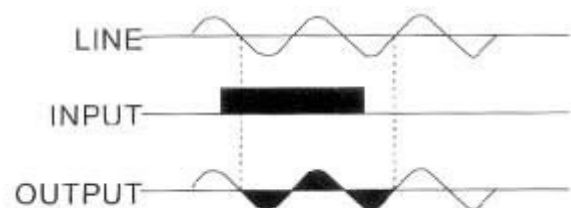
### Guiding of Model :



### Control Method :

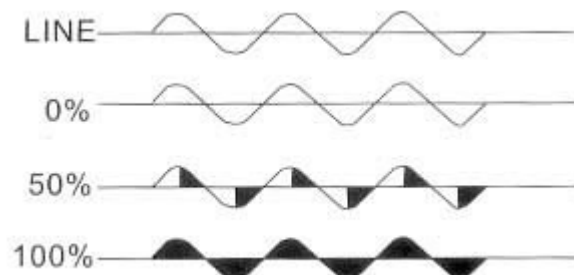
#### Zero Cross Trigger Method

Output TURN ON or TURN OFF only on zero cross point of sine wave,may avoid surge or EMI/RFI occurring.  
 Specially suited to control resistive,capacitive and Non-saturated inductive loads

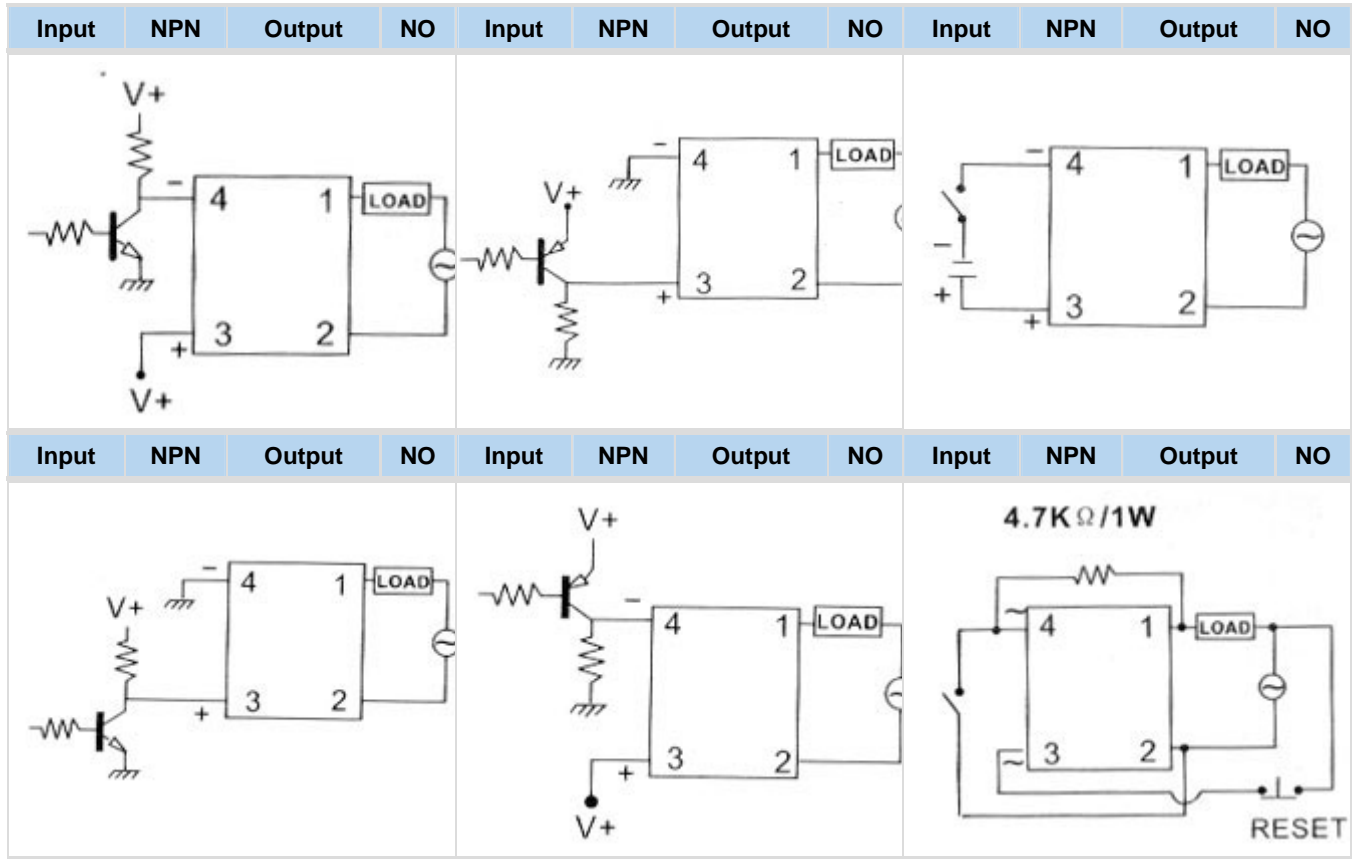


#### Variable resistance control method

Power output is controlled by the trigger angle of triac with variable resister 250KQ/110VAC,500KQ/220VAC



Application Hints :



Type	Standard type				High voltage type			
Model	TSR-15AA	TSR-25AA	TSR-40AA	TSR-75AA	TSR-15AA-H	TSR-25AA-H	TSR-40AA-H	TSR-75AA-H
Rated load current	15A	25A	40A	75A	15A	25A	40A	75A
Input voltage	80-250VAC, 50/60Hz							
Min. on/off voltage	ON>45V, OFF<35V							
Trigger current	5.0mA/110V max.							
Control method	Zero cross trigger							
Operating voltage	24-380VAC				90-480VAC			
Min. black voltage	600VAC							
Peak voltage	Over 1200V							
Max. durated current	175A	275A	410A	820A	175A	275A	410A	820A
Leakage	12.5mA@380V				15.5mA@440V			

current	
Response time	ON<20ms/OFF<20ms
Dielectric strength	Over 2.5KVAC/ 1min.
Isolation strength	Over 50M/500VDC
Operating temperature	-20°C~+80°C
Weight	390G

**Dimension and connection diagram :**

