



FEATURES :

- Special CMOS integrated circuit,super small bulk,high relia
- High repeat accuracy:±20% (including the initiate) shorter reset time :0.1 second (Max).
- Led indicating operating .
- socket for electromagent relay can be used.
- pule output (HT6U).

Application :

Output Controlload:HT6-29(-0):5A 250VAC;5A30VDC resistant load^L HT6-4(-0):3A 250VAC; 3A 30VDC resistant load^L TH6U:3A 30VDC resistant load^L Rated voltage:

(see selecting code)

single phase entire wave rectifier power can be used ofr DC voltage on 85% to 110% of rated voltage (90% to 110% for 12VDC),

Power Dissipation:

1W for DC

2.2W for AC

Socket:

DIN rail mounting:mounting:PYF08A/HT6-2,Yf14A/HT6-4 PCB

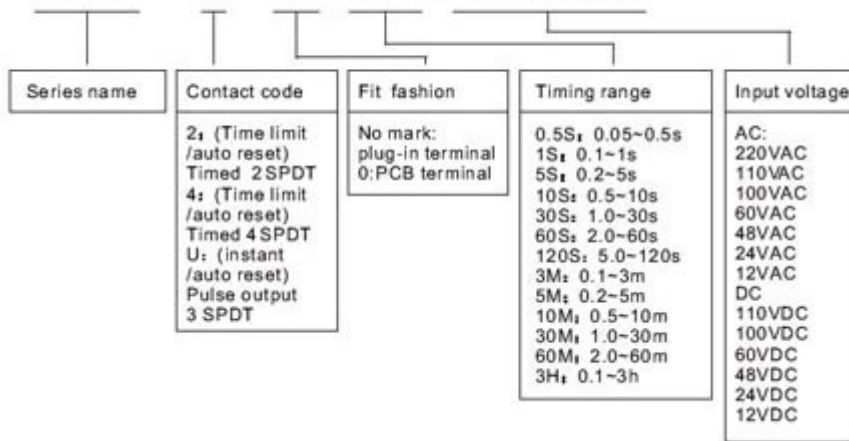
Jointing mounting:PY08/HT6-2,PY14/HT6-4

PCB mounting:PY08-0/HT6-2,PY14/HT6-4

FEATURES :

SELECTING CODE :

HT6 - 2 - 0 10S 220VAC

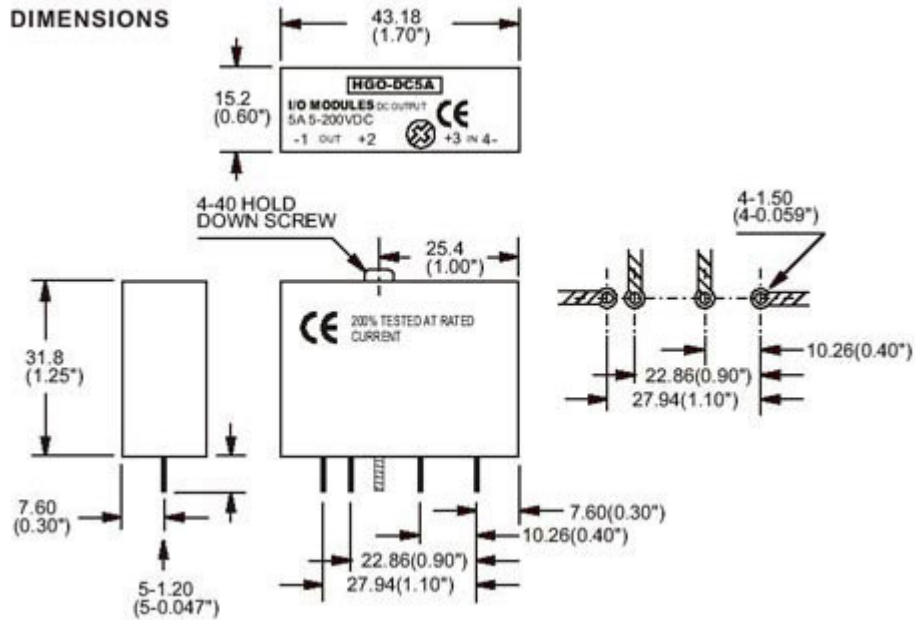


General parameters :

Repeat error	±2% (Max)
Schedule error	±10% (with in 0.5s:±10Ms)
Reset time	0.1s (Max)
Timing error for operating voltage	±2%
Timing error for ambient temperature	±5%
Insulation resistance	100Mohms @500VDC
Dielectric strength	1500VAC 50/60 Hz 1min,(input to contact)1000VAC 50/60Hz 1 min.(between the contacts)
Ambient temperature storage	-10°C to 50°C operating:-10°C to 40°C
Relative humidity	35% to 85%
Vibration	0 to 55Hz, 1.0mm double amplitude
Mechanical life	atleast 10000000times (1800times /hour no load added on the contact)
Electric life	100000times (rated load)
weight	50g

Diminsions :

DIMENSIONS



Connection/Timing Charts:

CONNECTIONS/TIMING CHARTS

