

## AM2C Series Moulded Case Circuit Breaker

### 1. Application

AM2C series moulded case circuit breaker is one of breakers which adopts international advanced design, manufacture technology to develop. The rated insulating voltage is 500V, suitable for AC 50Hz(60Hz), rated working voltage 500V or below, rated working current is 15A to 250A of circuit and use in distributing electric energy. The product conforms to IEC60947-2 standard.



AM2C-100B

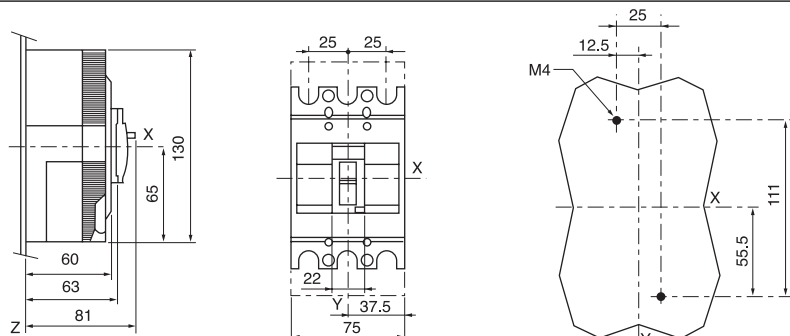


AM2C-250D

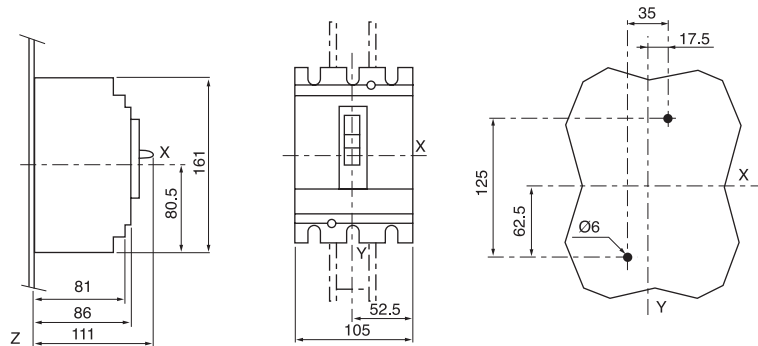
### 2. Specifications

Type	AM2C60E	AM2C100B	AM2C100D	AM2C160D	AM2C250D
Poles number	3	3	3	3	3
Rated current In(A)	15,20,25,30,40,50,60	15,20,25,30,40,50,60,75,80,100	15,20,25,30,40,50,60,75,80,100	125,160	200,225,250
Rated operating voltage Ue(V) (50/60Hz)	500	500	500	500	500
Rated insulation voltage Ui(V)	500	500	500	500	500
Rated impulse voltage Uimp(KV)	6	6	6	6	6
Utilisation category	A	A	A	A	A
Rated limited breaking capacity Icu(KA)	220/240V	7.5	25	25	85
	380V	7.5	10	18	18
	400V	7.5	10	15	15
Rated used breaking capacity Ics(%Icu)	25	50	50	50	50

### 3. Outline and Installation Dimensions



AM2C-60E,100B,100D



AM2C-160D,250D