

AM4 Series Moulded Case Circuit Breaker

1. Application

AM4 series MCCB is applicable circuit of AC 50/60Hz, rated current up to 400A, for distribute energy of electricity & infrequent making & breaking circuit in normal conditions. The products conforms to IEC60947-2.



AM4-125

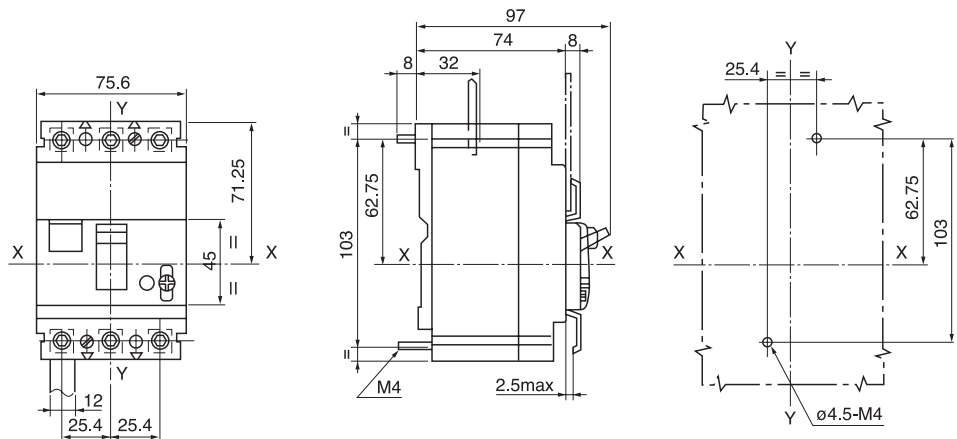


AM4-250

2. Specification

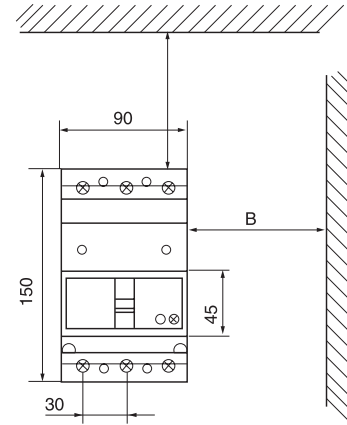
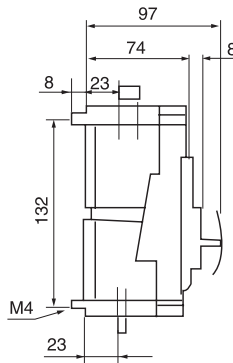
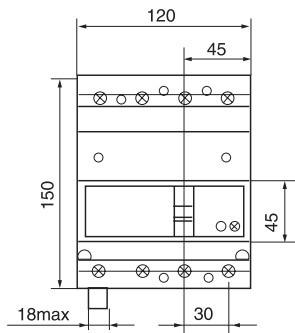
Type	AM4-125	AM4-160	AM4-250	AM4-400
Poles number	3	3	3	3
Rated current I_n (A)	25~125	25~160	125~250	125~400
Rated working voltage U_e (V) (50/60Hz)	500	500	600	600
Rated working voltage U_e ---(V)	250	250	250	250
Rated insulation voltage U_i ~(V)	500	500	690	690
Rated impulse voltage U_{imp} (kV)	6	6	8	8
Utilisation category	A	A	A	A
Rated limited short-circuit breaking capacity I_{cu} (kA)	230/240V~	22	50	60
	400/415V~	16	36	36
	440V~	10	20	30
	480/500V~	8	14	25
	600V~	-	-	20
	690V~	-	-	16
	250V ---	16	-	36
Rated short-circuit breaking service capacity I_{cs} (% I_{cu})	100	100	100	100
Mechanical life	7000	7000	7000	5000
Electrical life	1000	100	1000	800

3. Outline and Installation Dimension

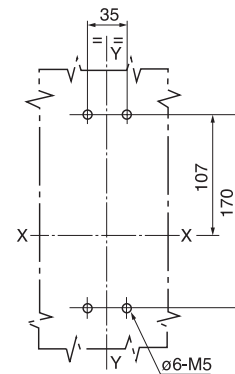
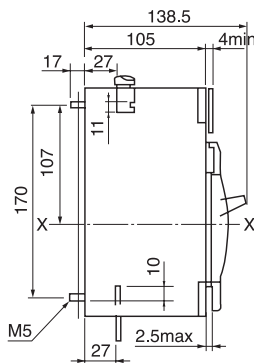
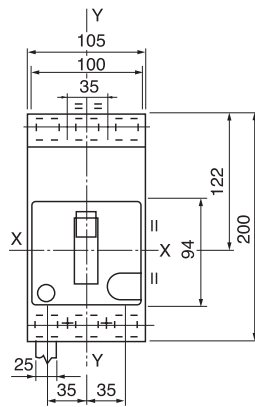


AM4-125

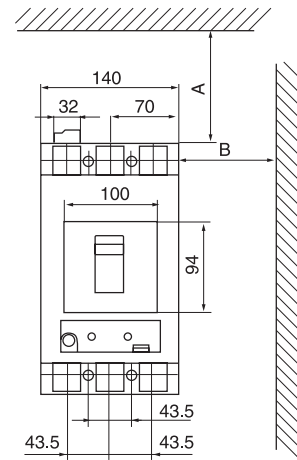
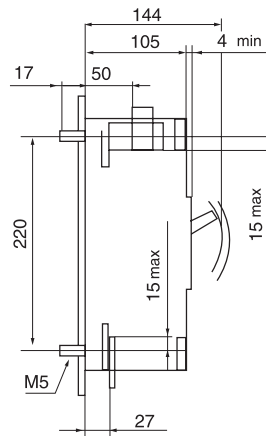
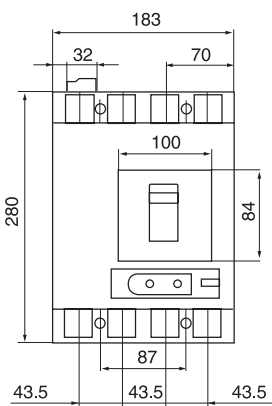
3. Outline and Installation Dimension



AM4-160



AM4-250



AM4-400